

## Installation Manual

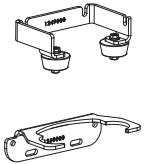
600000F

# GR3 & GR4-Series Guide Rail Systems

## Models

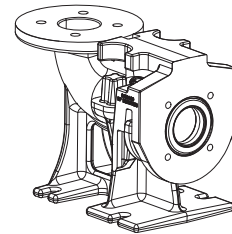
### GR3-Series 3" Pump Disconnect

- GR3 for ordinary locations  
For use with LGV/LGH, 2LE, LSS, LSGV/LSGH-Series Pumps
- GR3NS for hazardous locations  
For use with 3–15 HP XLGV/XLGH-Series Pumps

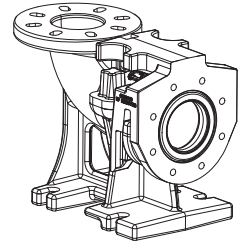


### GR4-Series 4" Pump Disconnect

- GR4 for ordinary locations  
For use with 3LM, 3LE, 3LV, 3LEV, LSV-Series Pumps
- GR4NS for hazardous locations  
For use with 3XLM, 3XLE, 3XLV-Series Pumps



GR3 BASE



GR4 BASE

## Features

- Accommodates dual 2" guide rails and 3" or 4" discharge pipe
- Auto-alignment feature
- Upper and mid-rail support bracket
- Includes double nitrile sealing grommet

### NOTICE

Installer: Manual must remain with owner/operator.

Record information:

7000 Apple Tree Avenue  
Bergen, NY 14416  
ph: 1-800-543-2550  
fax: 1-585-494-1839  
www.LibertyPumps.com

Keep this manual handy for future reference.  
For replacement manual, visit LibertyPumps.com,  
or contact Liberty Pumps at 1-800-543-2550.  
Retain dated sales receipt for warranty.

Model: \_\_\_\_\_

Serial: \_\_\_\_\_

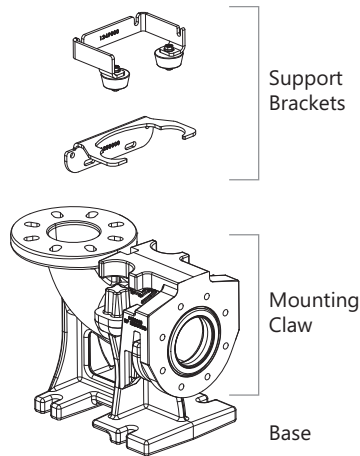
Mfg Date: \_\_\_\_\_

Install Date: \_\_\_\_\_

## GR3/GR4-Series Assembly

The GR3/GR4-Series quick pump disconnect assemblies are designed to allow easy pump installation and removal. When installed correctly, the guide rail assembly creates a tight discharge seal and provides a means to lift the pump without disconnecting any of the discharge piping. Ensure that installation is done per instructions.

The guide rail system consists of three parts: Support Brackets, Mounting Claw, and Base.

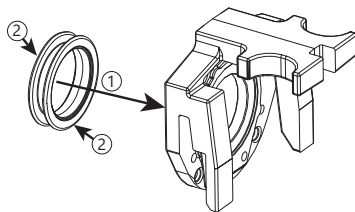


### Preparation

All claws have a sealing grommet that provides the seal between the claw and base, and also the seal between the claw and the pump.

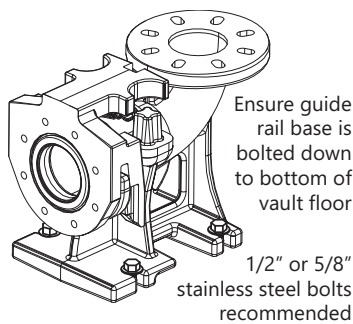
Insert grommet into claw, then apply a light amount of sealing grease (provided) to the face of the grommet that sits on the guide rail base.

- ① Insert grommet into claw
- ② Grease grommet sealing faces



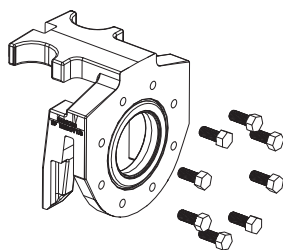
### Installation

**Base:** Mount the base to the floor of the pumping chamber or vault, referring to the **Base Mounting Template** measurements. Secure the base to the vault floor at the base slots. When mounting to a concrete surface, use 1/2" or 5/8" (14 or 16 mm) thread wedge anchors.



**Pump Mounting Claw:** The claw allows 3" or 4" solids handling.

Using supplied bolts, mount the claw onto the pump discharge. The claws mate to a 3" or 4" ANSI 150 bolt pattern (per model selected).

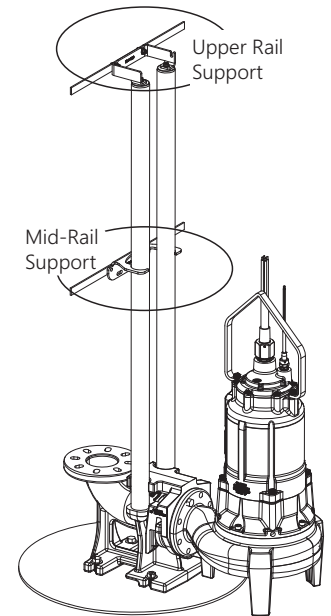


**Support brackets:** Two support brackets guide and support the dual 2" (50 mm) guide rail pipes. *Pipes are not included; galvanized or stainless steel is recommended.*

The upper support bracket is used to locate the guide pipes over the guide rail base, while the mid-rail support bracket is used to limit guide pipe movement when using the guide rail.

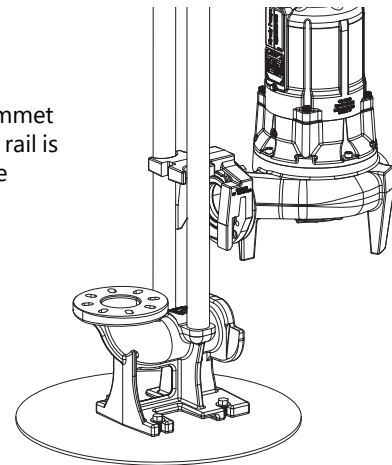
Place the mid-rail support bracket roughly in the middle of the guide rail pipe span. The support bracket needs to be mounted to a support structure, bar stock, angle iron, or other secure means that attaches to the sidewalls of the vault.

Place the upper rail support bracket at top of vault, mounting to secure vault structure. Once installed, tighten upper rail support top nuts.

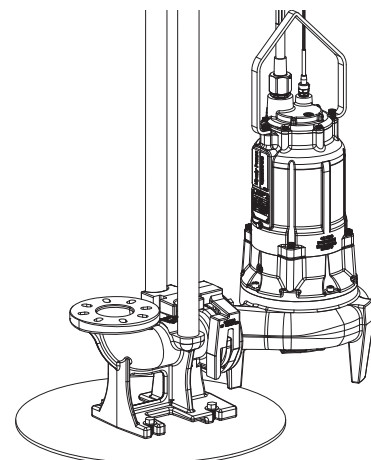


### Operation

**Note:** Apply fresh grease to the grommet face each time the rail is used to service the pump.



Disconnected Position



Operating Position

This page intentionally left blank.

Esta página se dejó en blanco intencionalmente.

Cette page a été laissée vide intentionnellement.

**Base Mounting Template**  
**Plantilla de montaje de la base**  
**Gabarit de montage de base**

**not to scale**  
**no a escala**  
**pas à l'échelle**

